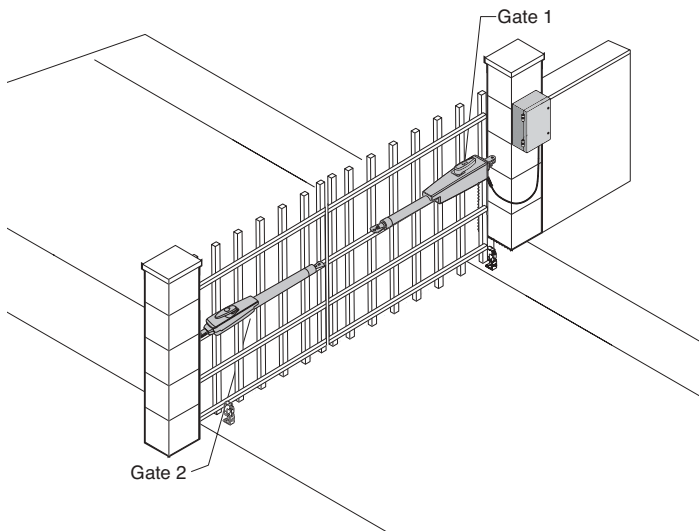


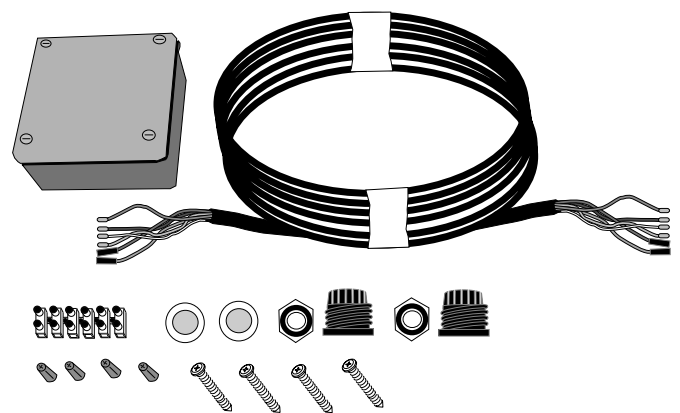
Function

The LA400-JB40 is for dual-gate applications as shown below. The LA400-JB40 Junction Box and Extension Cable is for connecting a secondary gate (Gate 2) to the Control Box, which is typically next to the primary gate (Gate 1).



Kit Contents

Description	Quantity
Junction Box – IP56	1
Extension Cable – Six Conductor	40'
Terminal Block – Twelve Connectors	1
Anchors	4
Phillips Head Mounting Screws	4
Strain Relief with Mounting Nut	2



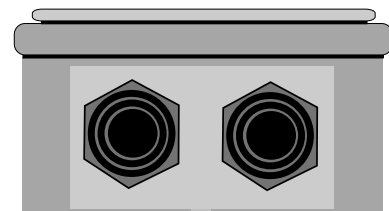
⚠️ WARNING

To prevent possible **SERIOUS INJURY** or **DEATH** from electrocution, disconnect power to gate before proceeding.

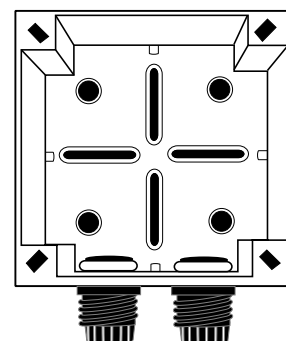
Installation

MOUNT STRAIN RELIEF

1. Disconnect power to operator.
2. Locate two 13/16" holes on one side of the junction box to mount the strain relief. Drill the holes and mount the strain relief and tighten with the plastic nuts.
3. Locate a suitable position on the post area of the second Gate operator to mount the junction box. Locate holes through the backside of the junction box with a 3/16" drill-bit.
4. Place the junction box on the post and mark the four holes. Use a 7/32" drill-bit and drill holes into the post for the anchors. Mount the junction box to the post.
5. Place strain relief nut on the extension cable from the linear actuator. Run the cable through one of the strain reliefs and into the junction box.
6. Repeat with second strain relief nut.



Locate holes of strain reliefs

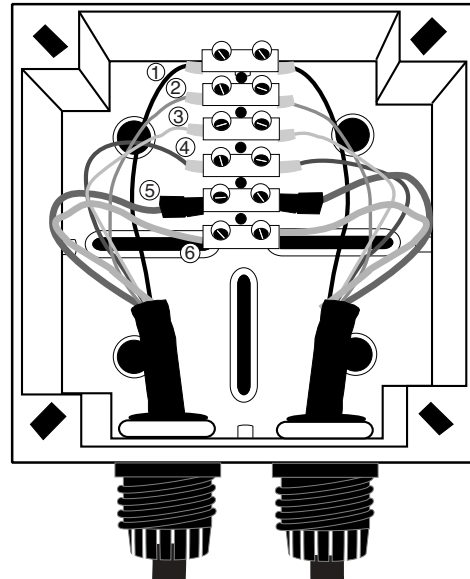


Mount strain reliefs

RUN CABLES INTO THE JUNCTION BOX

Use the 12-connector terminal block to connect the six conductors. The wiring color order does not matter as long as the same color matches the same color wire on the other cable. The wiring color order matches the color order on the control board.

- 1 = Brown
- 2 = Green
- 3 = White
- 4 = Yellow
- 5 = Blue
- 6 = Red



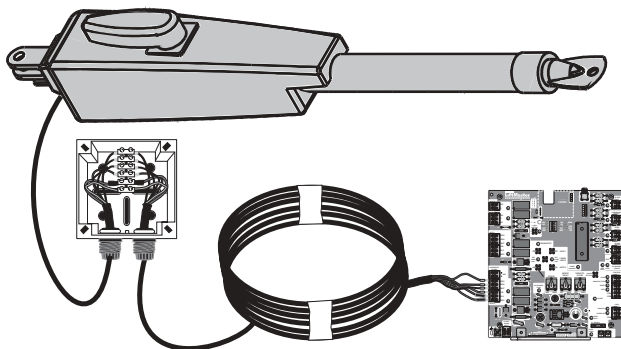
Cables running into the junction box

TRENCH AND FINALIZE INSTALLATION

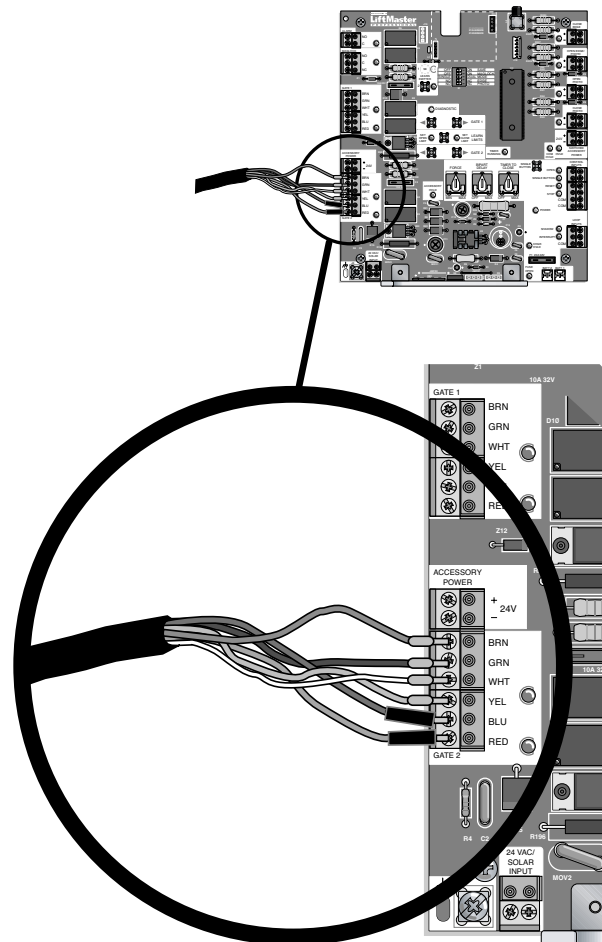
CAUTION

To AVOID damaging gas, power, or other underground utility lines, contact underground utility locating companies BEFORE digging more than 18" deep.

1. Run a trench across the driveway to bury the extension cable.
2. Connect the other end of the extension cable to the Gate 2 terminal block on the control board. Follow the color code on the control board for the correct wiring connections.
3. Reconnect power to operator.



Complete system connection for the secondary arm



Connect the extension cable to the Gate 2 terminal block on the control board